

Square Touch Interface Controller

LC-0RGB-D5-05



Features

Used for RGB LED product, built-in light changing, jump light, gradual light changing etc. 16 changing patterns and RGB all color touch pulley.

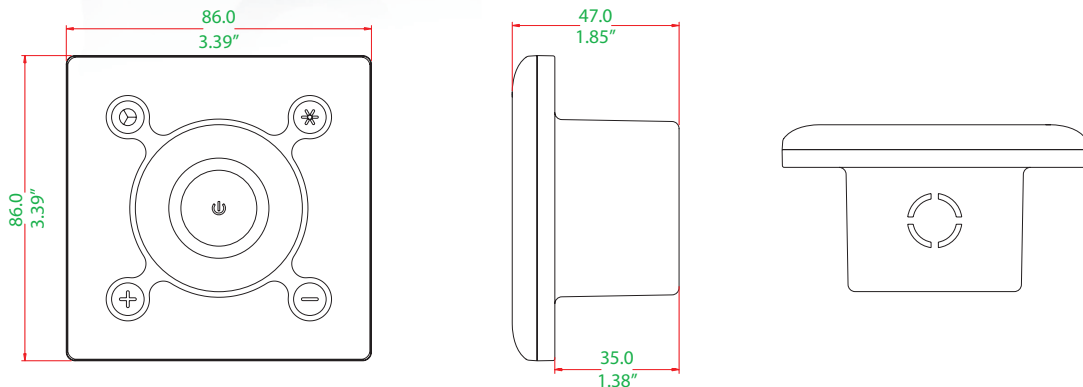
Technical Parameter

Input voltage: DC 12V / 24V

Output channel: RGB 3 channels

Output current: 3A / channel

Dimensions (Unit: mm/inch)



Function Descriptions

1. 16 changing patterns
2. Static light adjustable, dynamic speed adjustable
3. Power lost memory function
4. Touch interface, RGB all color touch interface pulley

Changing Patterns

- | | | |
|------------------|-------------------------------|---------------------------|
| 1. static red | 6. static cyan | 11. green gradual change |
| 2. static green | 7. static white | 12. blue gradual change |
| 3. static blue | 8. seven-color jump | 13. yellow gradual change |
| 4. static yellow | 9. seven-color gradual change | 14. purple gradual change |
| 5. static purple | 10. red gradual change | 15. cyan gradual change |
| | | 16. white gradual change |

Operation Descriptions

1. the key function

- brightness, speed, mode reduce
- + brightness, speed, mode increase
- * brightness adjustment
- mode adjustment/ speed state adjustment
- ⏻ power switch

2. keys function description

- reduce the light in static brightness adjustable state ; reduce the speed in dynamic speed adjustable state; change pattern in mode changing state, (only work when indicator light on).
- + increase the light in static brightness adjustable state; increase the speed in dynamic speed adjustable state; change pattern in mode changing state, (only work when indicator light on).
- * touch * key enter into brightness adjustable state.
- touch ● key once enter into speed adjustable state, twice enter into mode adjustable state, in a cycle like this,(speed is adjustable when indicator light of switch is on, mode is switchable when indicator light of switch is off).
- ⏻ power switch.

Nates

- 1). The controller has 3 output signal channel which the line sequence should be right.
- 2). Using DC 12V or DC 24V as controller driver, do not use normal high voltage driver.

Signcomplex Limited Warranty

Signcomplex warrants this product ("Product") against defects in material or workmanship for a period of three years from the date of purchase. If this Product is determined to be defective, Signcomplex will repair or replace the Product, at its option. This warranty does not cover cosmetic damage or damage due to acts of God, accident, misuse, abuse, negligence, commercial use, or modification of, or to any part of the Product. This warranty does not cover damage due to improper operation or maintenance, connection to improper voltage supply, or attempted repair by anyone than a facility authorized by Signcomplex to service the Product.

Repair or replacement as provided under this warranty is the exclusive remedy of the customer. Signcomplex shall not be liable for any incidental or consequential damages for breach of any express or implied warranty on this Product except to the extent prohibited by applicable law, any implied warranty of merchantability or fitness for a particular purpose on this Product is limited in duration to the duration of this limited warranty.

Some states do not allow the exclusion or limitation of incidental or consequential damages, or allow limitations on how long an implied warranty lasts, so the above limitations or exclusions may not apply to you. This warranty gives you specific legal rights, and you may have other rights which vary from state to state.

Only Signcomplex may change, amend or modify the terms of this Limited Warranty and any such change, amendment or modification shall be in writing and is sued by Signcomplex.

